

Visible Emitter

Features:

- High Reliability
- Wide Beam Angle
- High Output Power
-

Applications:

- Bar Code Reader
- Color Sensor
- Fiber Optics
- Paper Sensor

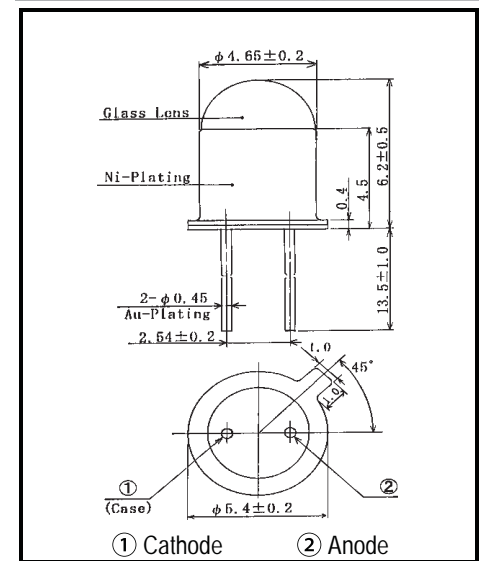


Absolute Maximum Ratings (Ta=25°C)

Item	Symbol	Ratings	Unit
Forward Current (DC)	IF	50	mA
Forward Current (Pulse)*1	IFP	0.5	A
Reverse Voltage	VR	5	V
Power Dissipation	PD	130	mW
Operating Temperature	Topr	-20 ~ +85	°C
Storage Temperature	Tstg	-30 ~ +100	°C
Junction Temperature	Tj	100	°C
Lead Soldering Temperature*2	Tls	260	°C

*1: Tw=10μs, T=10ms

*2: Time 5 Sec. Max, Positions: Up to 3mm from the body



Dimensions (Unit:mm)

Electrical & Optical Characteristics (Ta = 25°C)

Items	Symbol	Conditions	Min	Typ	Max	Unit
Power Output	PO	IF=20mA	0.3	0.5	--	mW
Forward Voltage	VF	IF=20mA	--	2.1	2.5	V
Reverse Current	IR	VR=5V	--	--	100	μA
Peak Wavelength	λp	IF=20mA	--	590	--	nm
Spectral Line Half Width	Δλ	IF=20mA	--	15	--	nm
Half Intensity Beam Angle	θ	IF=20mA	--	±6	--	deg.
Junction Capacitance	Cj	1MHz, V=0	--	10	--	pF
Temp. Coefficient of PO	P/T	IF=10mA	--	-0.7	--	%/°C
Temp. Coefficient of VF	V/T	IF=10mA	--	-1.8	--	mV/°C

Graphs:

